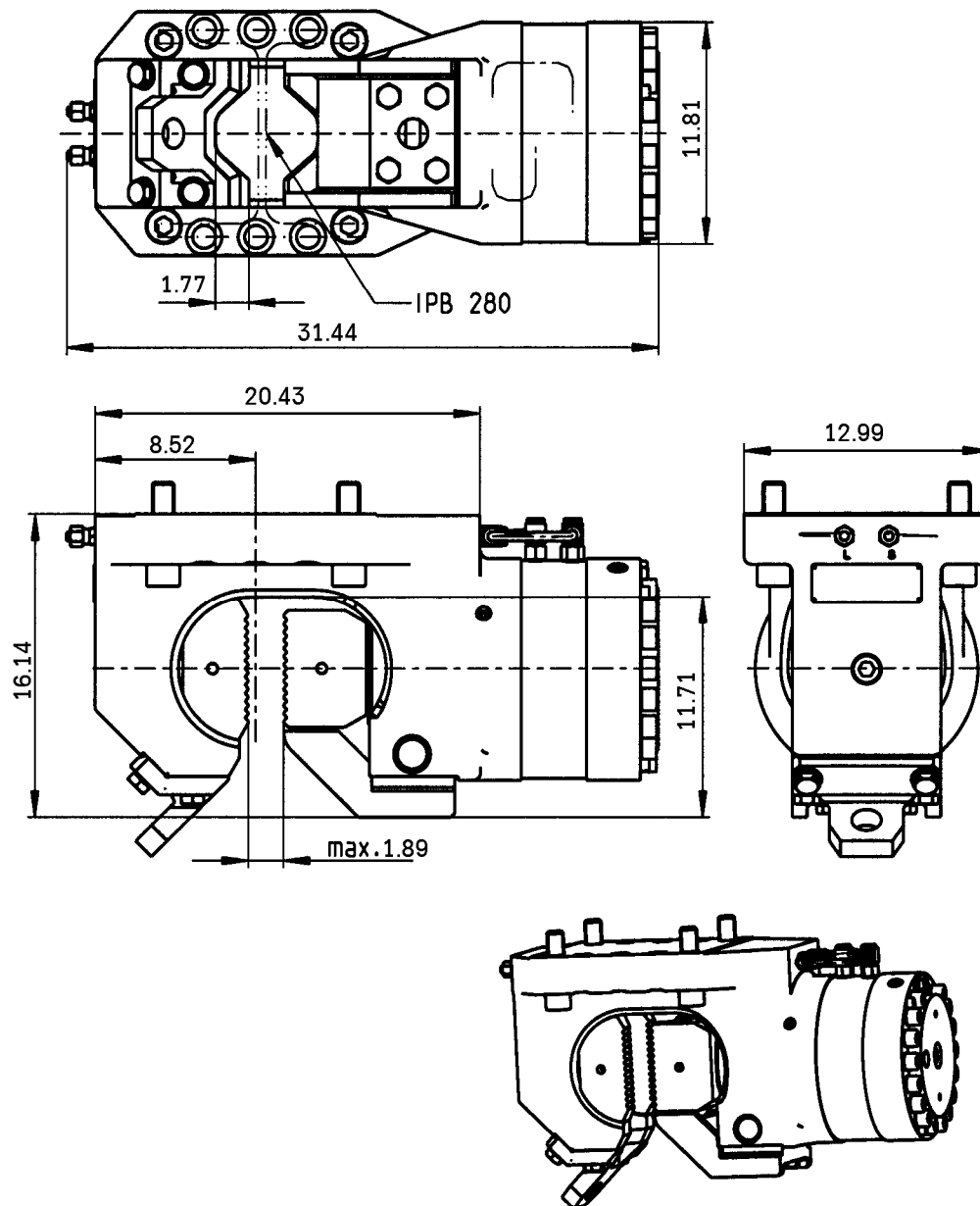


MÜLLER Spannvorrichtung
clamping device
MS-U 80/100 A

TA 1339 us

Dat.: 03.03.2013
Name: Richter



TECHNISCHE DATEN
Spannkraft, max.
Spanndruck, max.
Spannkraft (4000 psi)
Gewicht

TECHNICAL DATA
clamping power, max. 907 [US ton]
clamping pressure, max. 5000 [psi]
clamping power (4000 psi) 725.6 [US ton]
weight 355 [lbs]

Art.-Nr. / ID-No.: Type Z 50088430